



Part Number	Qty for Step	Description
1	1	40.75" h Vertical Extrusion w/ Door Hinges
2	1	40.75" h Vertical Extrusion
3	1	40.75" h Vertical Extrusion w/ Door Hinges
4	1	40.5" h Vertical Extrusion w/ Door Stops
5	1	20.09" w Curved Horizontal Extrusion
6	1	20.09" w Curved Horizontal Extrusion
7	1	20.09" w Curved Horizontal Extrusion
8	1	20.09" w Curved Horizontal Extrusion
9	1	20.09" w Curved Horizontal Extrusion
10	1	20.09" w Curved Horizontal Extrusion
11	1	20.09" w Curved Horizontal Extrusion
12	1	20.09" w Curved Horizontal Extrusion
13	1	26.875" h Square Vertical Extrusion
14	1	26.875" h Square Vertical Extrusion

Steps:

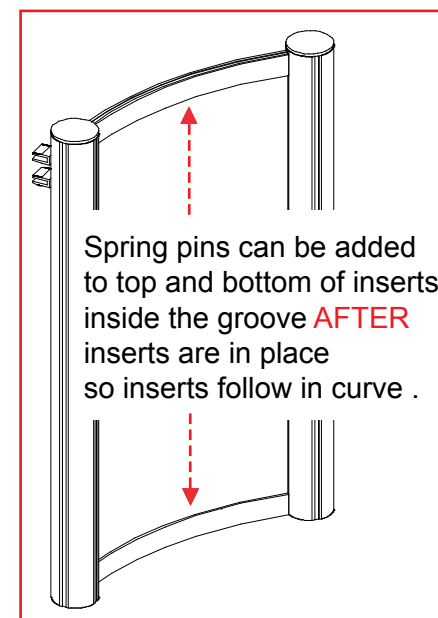
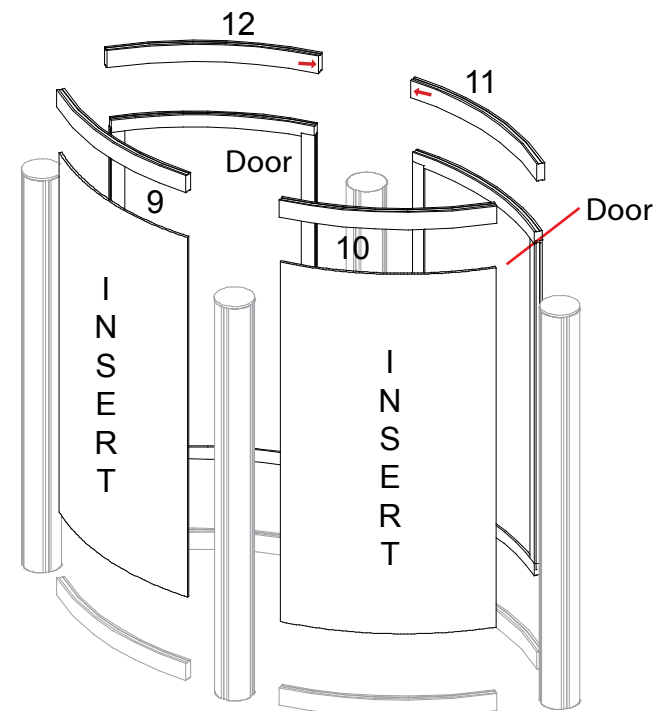
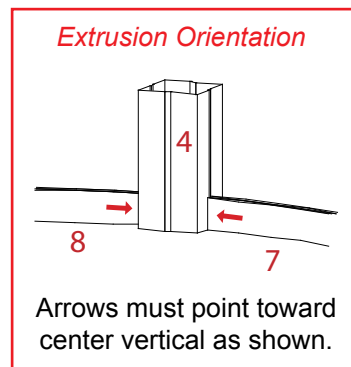
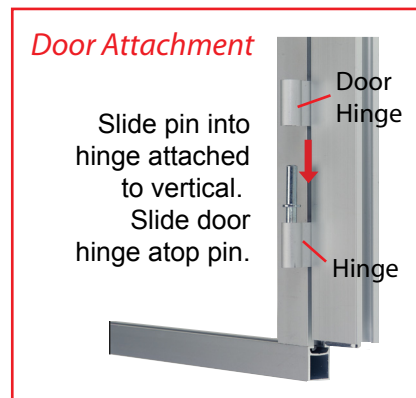
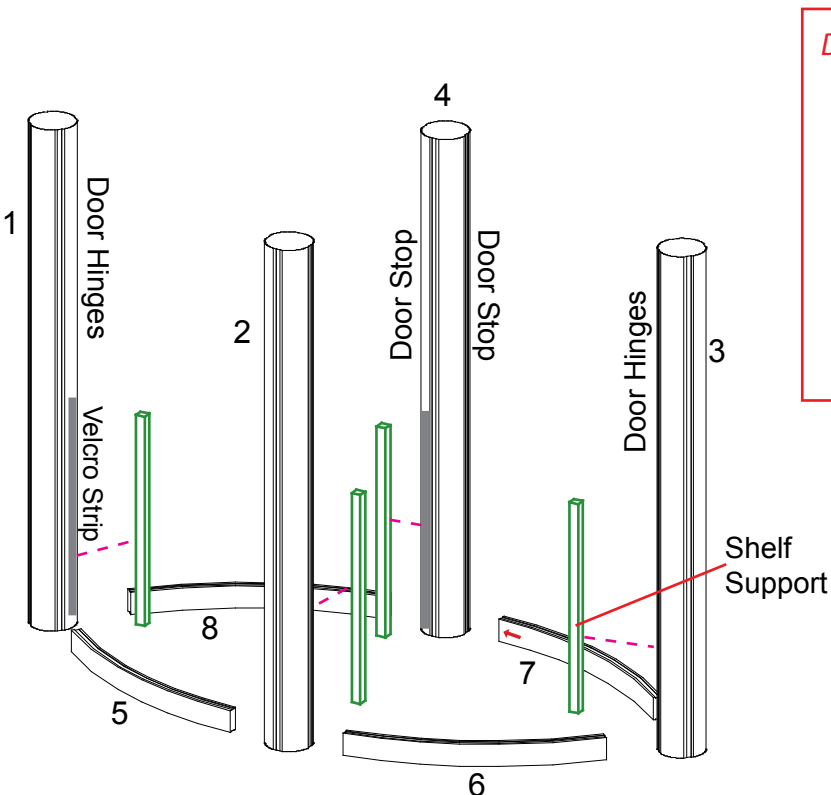
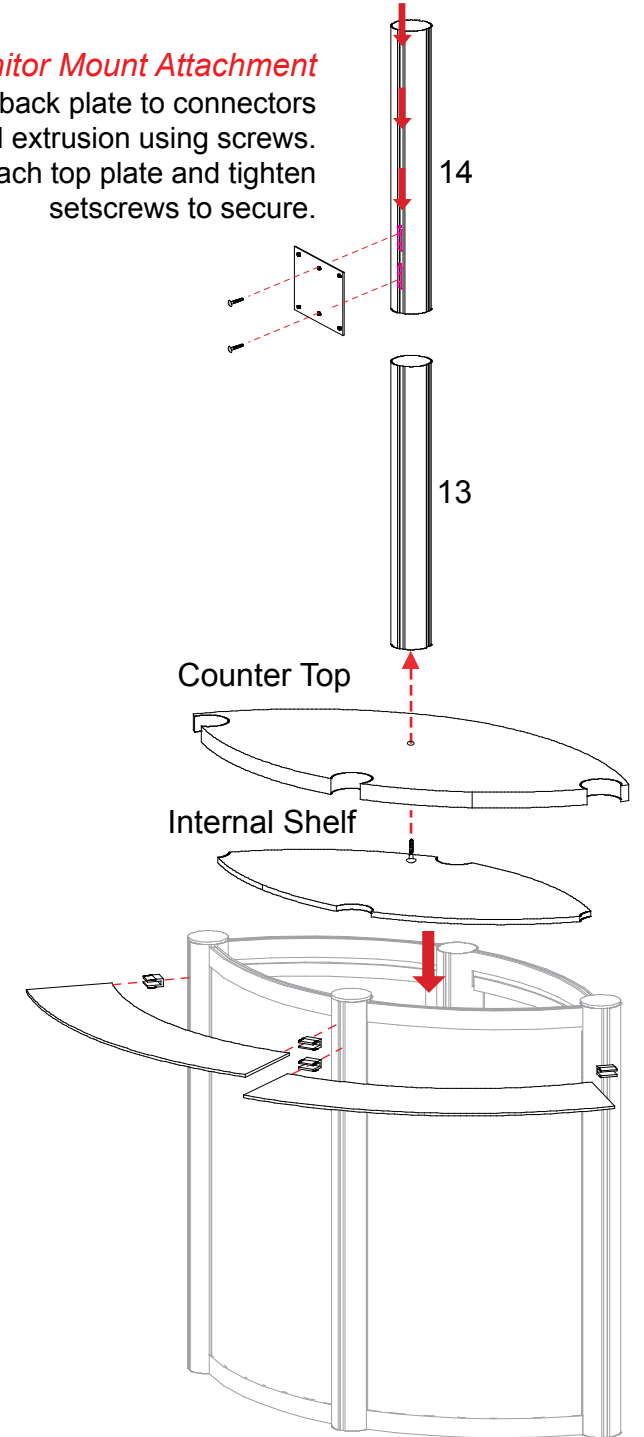
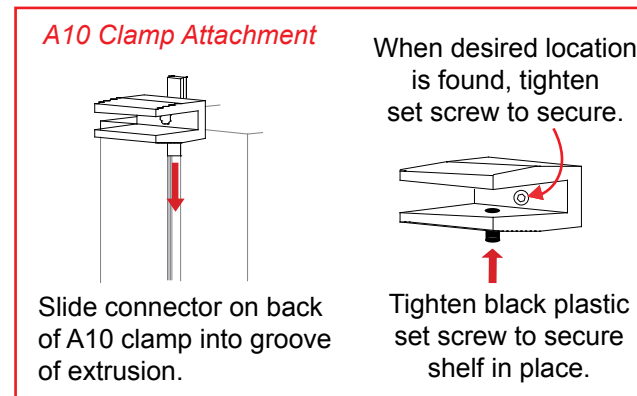
- 1) Connect horizontal extrusions [5, 6, 7 and 8] between vertical extrusions [1, 2, 3 and 4] where indicated.
- 2) Place inserts and attach door where indicated.
- 3) Connect upper horizontal extrusions [9, 10, 11 and 12] between vertical extrusions [1, 2, 3 and 4].
- 4) Velcro internal shelf supports to inside of assembled base.
- 5) Set internal shelf and counter top as shown.
- 6) Attach Plex shelves to pedestal using A10 clamps, see Shelf Attachment details.

Steps (Cont'd):

- 7) Connect square extrusions [13 to 14].
- 8) Attach vertical assembly [13/14] to counter top using bolt.

Slide connectors onto groove of extrusion, tighten setscrew to secure at desired location.

Monitor Mount Attachment
Attach back plate to connectors on vertical extrusion using screws. Then attach top plate and tighten setscrews to secure.

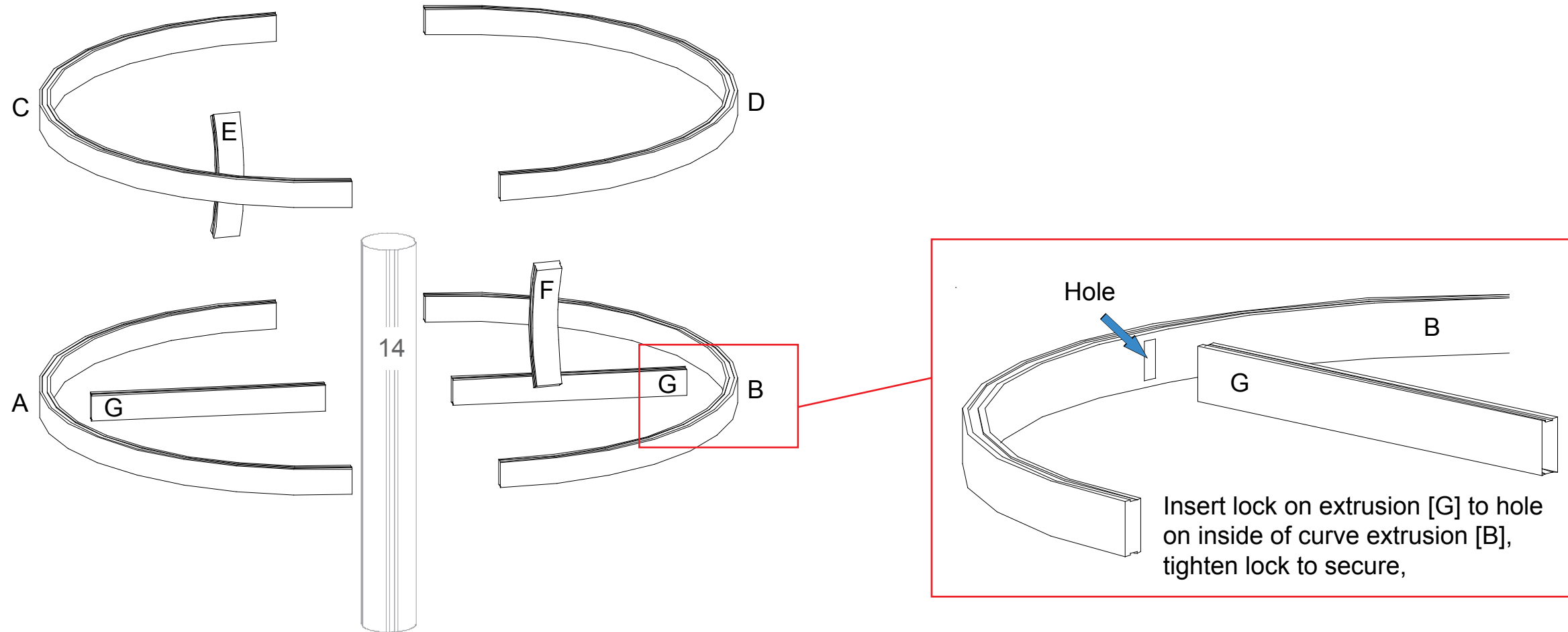
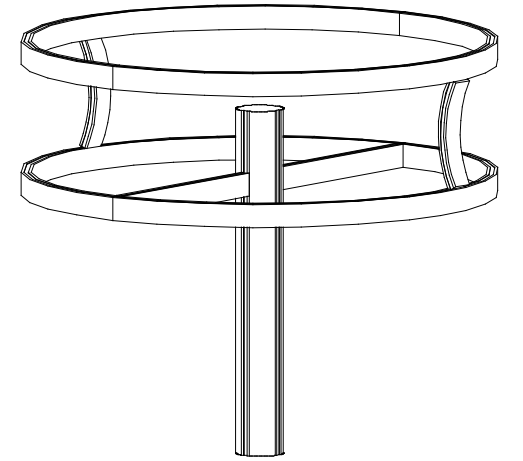


WHEN DISASSEMBLING ALUMINUM EXTRUSION, TIGHTEN ALL SETSCREWS AND LOCKS TO PREVENT LOSS DURING SHIPPING

866.652.2100

Item	Qty.	Description
A	1	Lower Curve Extrusion
B	1	Lower Curve Extrusion
C	1	Upper Curve Extrusion
D	1	Upper Curve Extrusion
E	1	Vertical Extrusion
F	1	Vertical Extrusion
G	2	Horizontal Extrusion

- Steps:
- 1) Connect curve extrusions together [A to B and C to D].
 - 2) Attach vertical extrusions [E and F] between assembled rings.
 - 3) Attached horizontal extrusions [G] to inside of assembled header.
 - 4) Apply pillowcase graphic to assembled header.
 - 5) Attach assembled header with graphic to vertical post [14].



WHEN DISASSEMBLING ALUMINUM EXTRUSION, TIGHTEN ALL SETSCREWS AND LOCKS TO PREVENT LOSS DURING SHIPPING

visionary™ IDESIGNS

Using Your Setup Instructions

The Visionary Designs Setup Instructions are created specifically for your configuration. They are laid out sequentially, including an exploded view of the entire display, and then a logical series of detailed steps to assemble the main structure and components. We encourage you to study the instructions **before** attempting to assemble your exhibit.

Each page reminds you to tighten the setscrews after disassembling your exhibit to prevent loss of the locks and setscrews (see below in RED). This is **VERY IMPORTANT**.

Cleaning and Packing Your Display

- 1) Use care when cleaning aluminum extrusion or acrylic inserts. Use only non-abrasive cleaners.
- 2) When cleaning laminate inserts or countertops, use mild cleansers and a soft material such as cotton.
- 3) Keep all display components away from extreme heat and long exposure to sunlight to avoid warping and fading.
- 4) Retain all packing material. It will make re-packing much easier and will reduce the likelihood of shipping damage.



The Tool

Most Visionary Designs exhibits can be assembled with the supplied Hex Key Tool. Occasionally, a flat head screwdriver may be required.

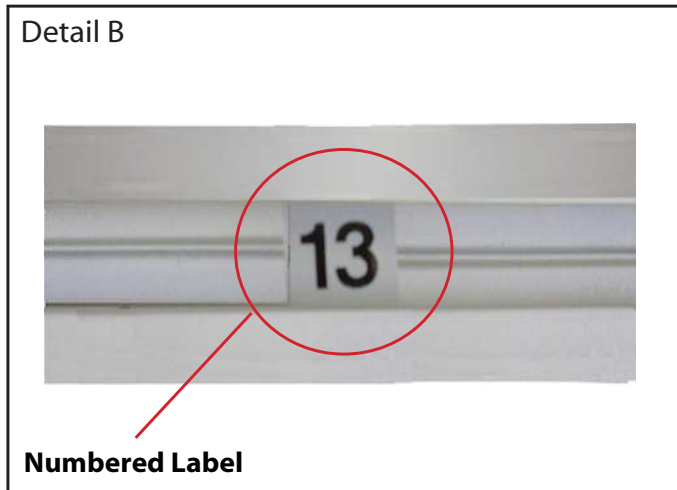


Typical Connection



Typical Connection (cont'd)

Most horizontal extrusion connections have a patented expandable lock. This lock inserts into the groove of an opposing extrusion. Tightening the lock with the Hex Key Tool expands the lock and creates a strong positive connection.



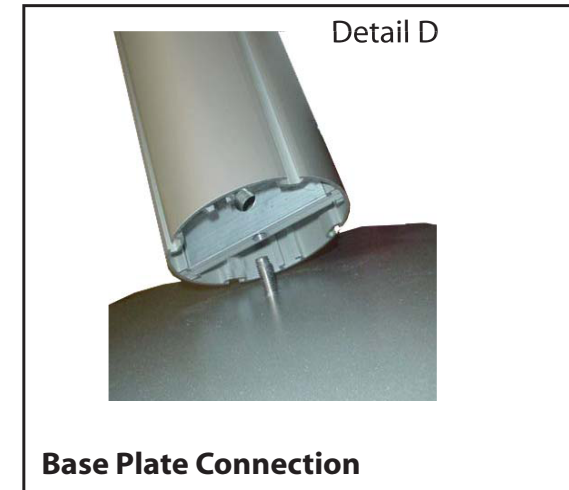
Numbered Label

Each extrusion contains a numbered label which corresponds with setup instructions. The label is located within a groove of the extrusion (when possible). With Visionary Designs the labels contain Black numbers unless otherwise specified.



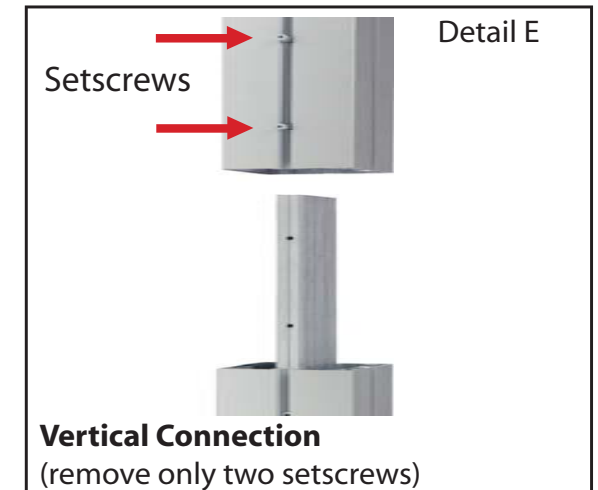
Horizontal Inline Connection (remove only one setscrew)

Remove only (1) setscrew when disassembling. Replace setscrew in extrusion after assembling it. Before packing, replace setscrew in extrusion to avoid losing it.



Base Plate Connection

Attach base plate to round or square vertical extrusion using the bolt provided. Be careful not to strip the threads.



Vertical Connection (remove only two setscrews)

When vertical extrusions are packed in portable cases rather than crates or tubs, they must be broken down into smaller sections which then require assembly.

Remove only (2) setscrews when disassembling. Replace setscrews in extrusion after assembling it. Before packing, replace setscrews in extrusion to avoid losing them.

NOTE :

PDF copies of your Setup Instructions are available @ www.classicexhibits.com
 Use the Search Tool located on the lower left-hand corner of the Classic Home page.
 Enter your 5-7 digit Order #.

Search for Setup Instructions

WHEN DISASSEMBLING ALUMINUM EXTRUSION, TIGHTEN ALL SETSCREWS AND LOCKS TO PREVENT LOSS DURING SHIPPING